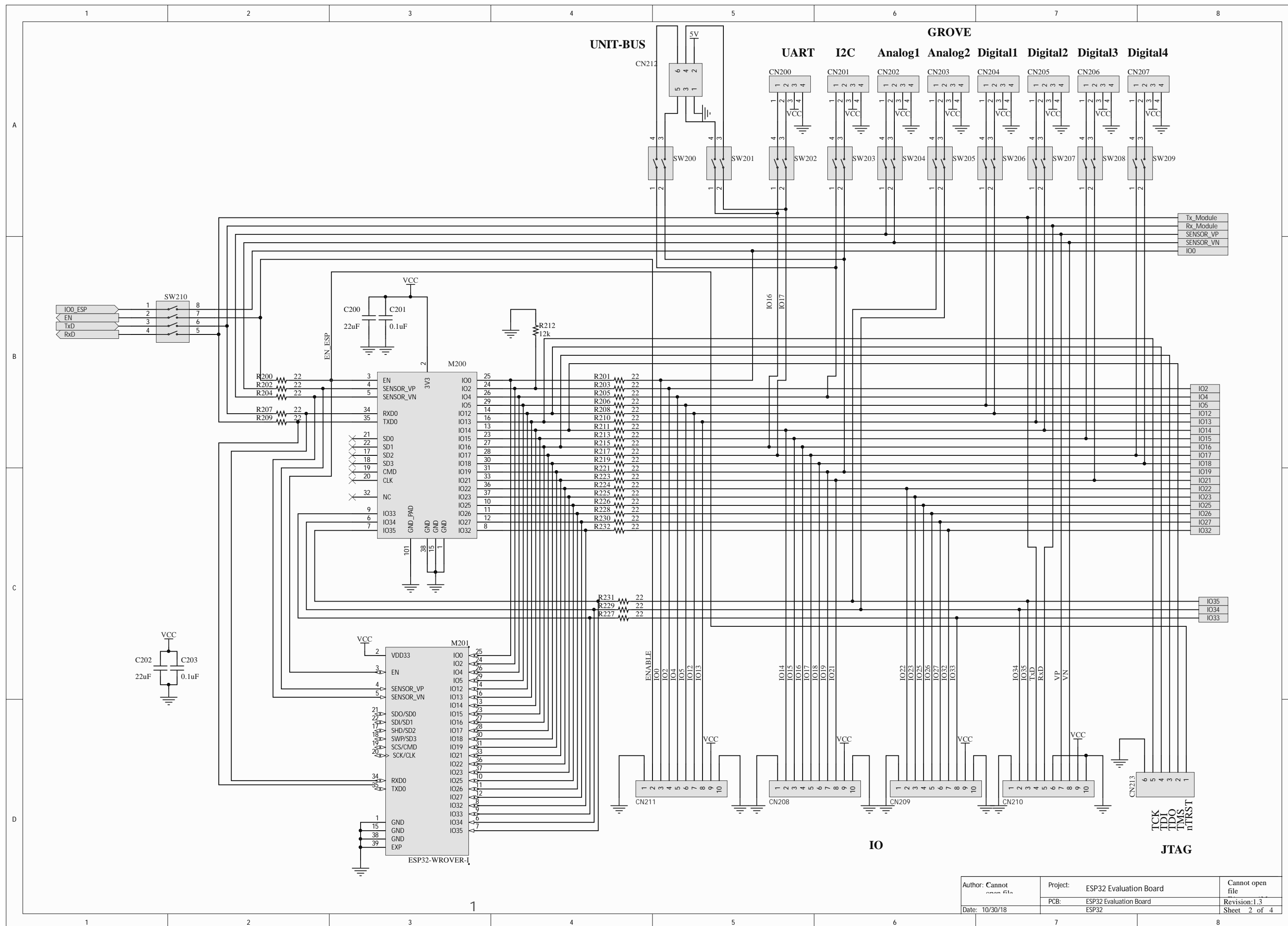
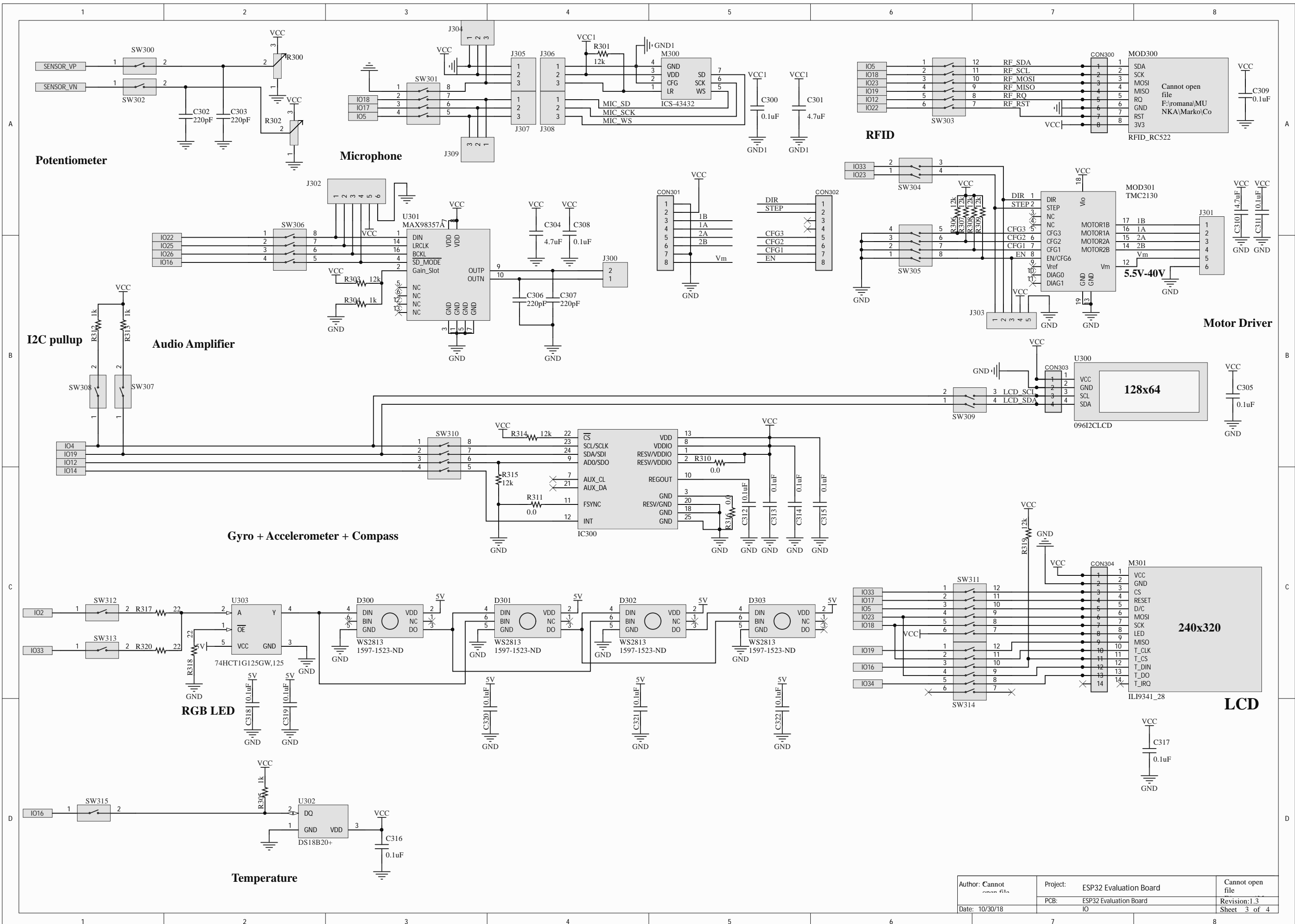


DTR	RTS	EN	IO0
1	1	1	1
0	0	1	1
1	0	0	1
0	1	1	0

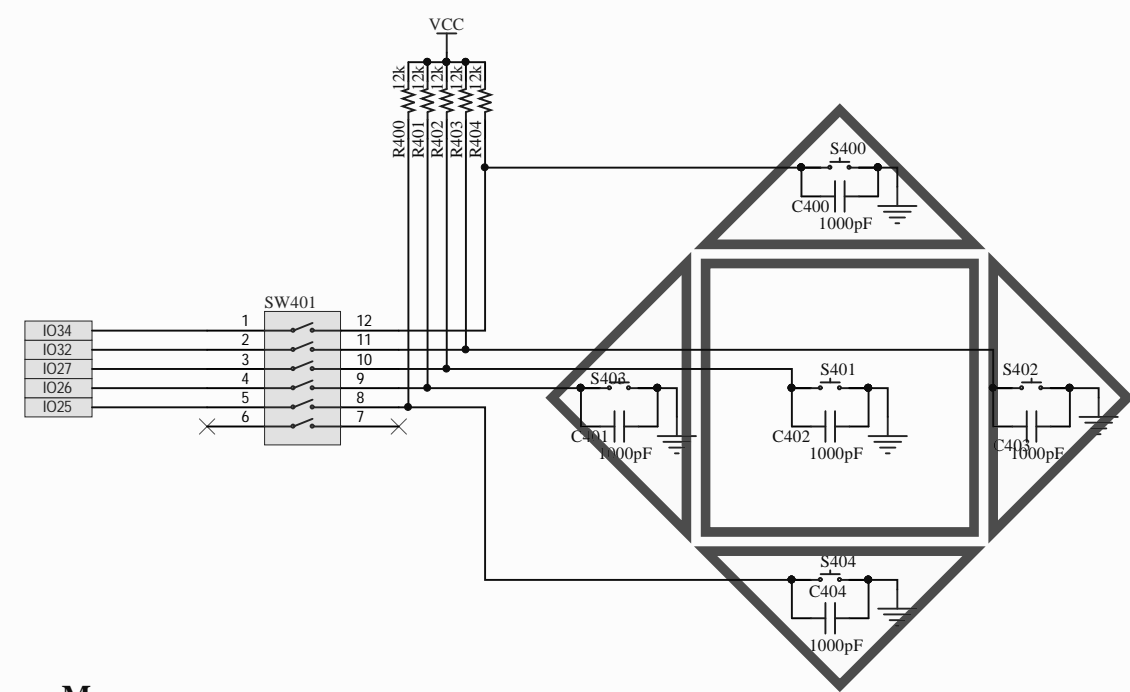
Author: Cannot  
 Date: 10/30/18  
 Project: ESP32 Evaluation Board  
 PCB: ESP32 Evaluation Board  
 PSJ  
 Cannot open file  
 Revision: 1.3a  
 Sheet: 1 of 4



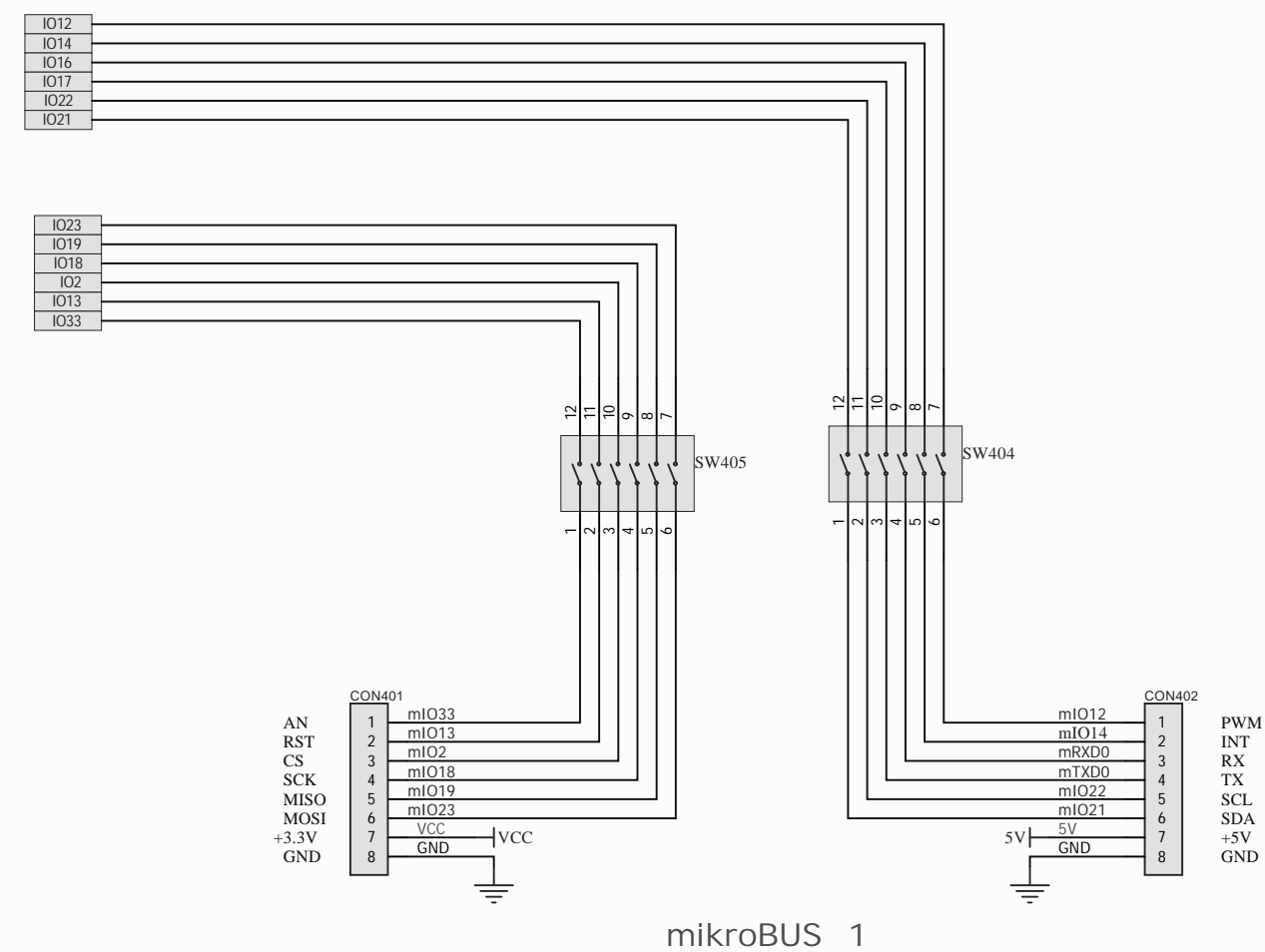
Author: Cannot open file	Project: ESP32 Evaluation Board	Cannot open file
Date: 10/30/18	PCB: ESP32 Evaluation Board ESP32	Revision: 1.3
		Sheet: 2 of 4



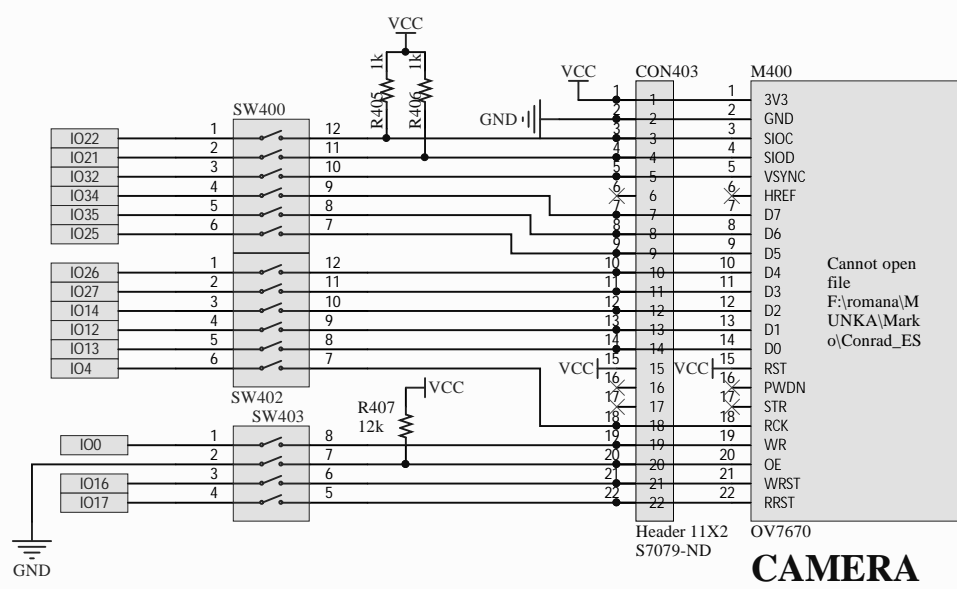
Author: Cannot open file	Project: ESP32 Evaluation Board	Cannot open file
Date: 10/30/18	PCB: ESP32 Evaluation Board	Revision: 1.3
	IO	Sheet: 3 of 4



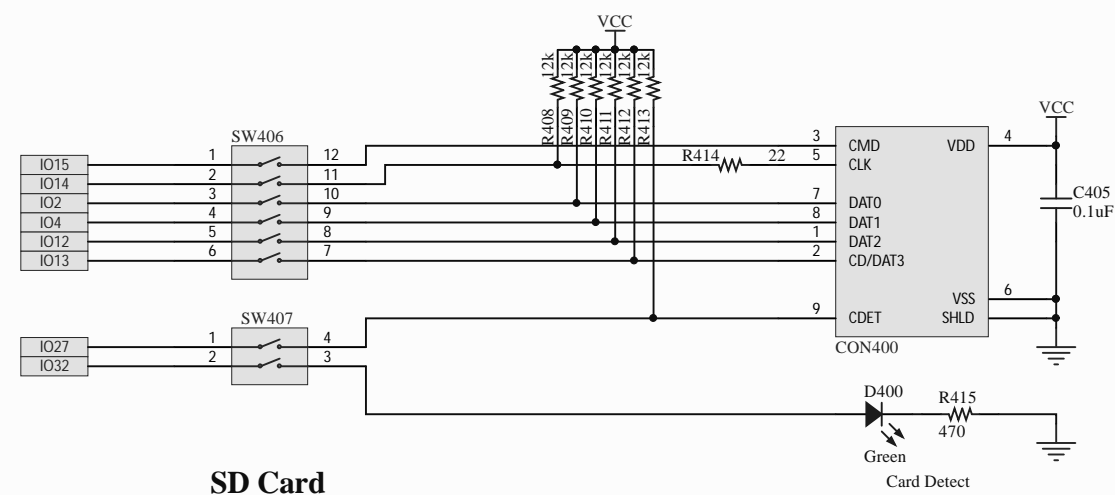
Menu



mikroBUS 1



CAMERA



SD Card

Author: Cannot open file	Project: ESP32 Evaluation Board	Cannot open file
Date: 10/30/18	PCB: ESP32 Evaluation Board m&B	Revision: 1.3 Sheet: 4 of 4